

Digital indicator with relay outputs PMS-970T



Outer dimensions:

width **48**, height **96**, depth **120** [mm]

Dimensions of panel cut-out:
43 × 90,5 [mm]

- ✓ Universal measuring input
4...20 mA, 0...20 mA or 0...10 V
- ✓ 4 relay outputs: 1 A, 250 V AC
- ✓ RS-485 digital output
- ✓ 4 × 7 mm red LED display + 26-point bargraph
- ✓ Integrated power supply 24 V DC
- ✓ Additional options:
⇒ passive current output

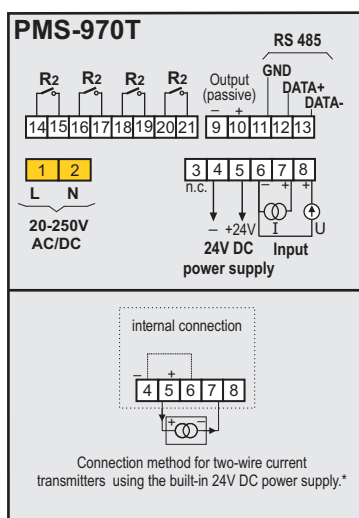
Functions and use

The programmable PMS-970T indicator is applicable to cooperation with the transmitters having a standard current or voltage output signal. Measurement is visible on 4-digit indication and 26-point bargraph. Four alarm values controlling the relay outputs can be programmed. Alarm values are indicated on bargraph and exceeding of the alarm values is indicated by diodes on the front of the display. The device can use a linear characteristic or a multi-segment characteristic freely definable by the user. The meter has RS-485/MODBUS RTU digital output and can also be provided with an a passive current output with programmable range of current variation.

The PMS-970T enables the following parameters to be programmed:

- ◆ measuring value display range and decimal point position;
- ◆ level and hysteresis of action of relays;
- ◆ relay operation mode: normally connected or normally disconnected;
- ◆ input signal conversion characteristic (segmental approximation, max. 15 segments);
- ◆ display filtering level;
- ◆ "alternating control of outputs" function used to balance wear on groups of pumps.
- ◆ two modes of bargraph: 2 and 3 color.

Wiring diagram



*Other ways of connecting current and voltage transmitters are given in the Operation Manual

Technical data

Input signal	0/4...20 mA or 0...10 V
Display range	-999 to 9999
Display error	±0.1%
Relay outputs	4 × 1 A/250 V AC, NO
special version:	2 × 1 A/250 V AC, NO/NC
Power supply	20...250 V AC/DC
Integrated power supply	24 V DC stab., max. 25 mA
Operating temperature range	-20...50°C
Storage temperature	-20...70°C
Casing	panel type, IP65 (from the front)

Ordering procedure

PMS-970T / _____

Special version:
2 – version with 2 relay outputs
WY – passive current output